

# **BESST, INC.**

*Best Environmental Subsurface Sampling Technologies*  
*"Sample Quality You Can Trust"*

## **MiniSimulProbe™**



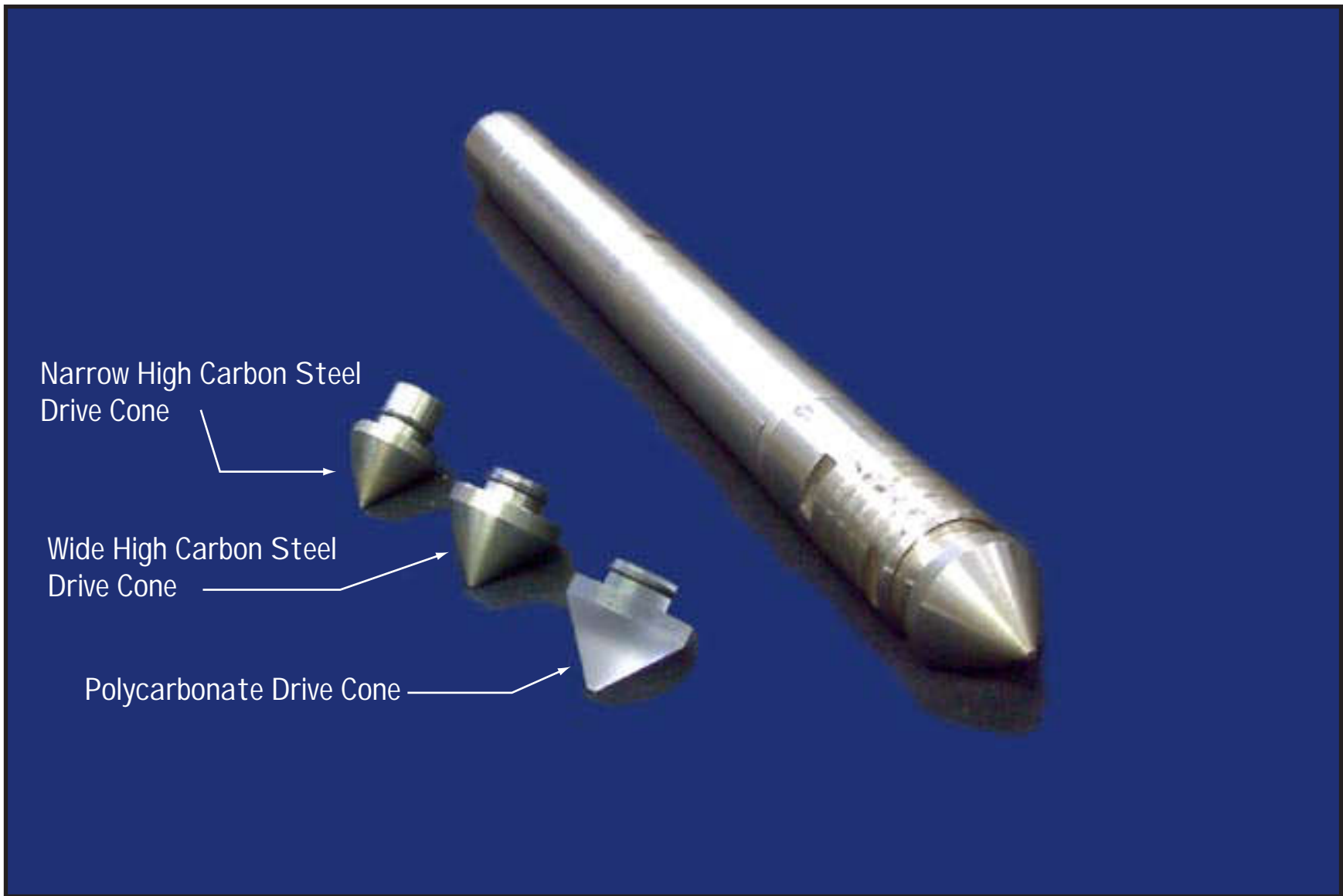
### Assembly Diagrams

BESST, INC.

16 Diane Lane, Suite 100, Larkspur, CA 94939  
800.553.1755 / 415.453.2501 / 415.453.2509 (fax)  
email: [simulprobe@aol.com](mailto:simulprobe@aol.com)  
[www.besstinc.com](http://www.besstinc.com)

## MiniSimulProbe® Assembly Diagrams Table of Contents

- MiniSimulProbe® with 1" screen closed - soil gas mode
- MiniSimulProbe® with 1" screen open - soil gas and coring mode
- MiniSimulProbe® with 1" screen closed - groundwater mode
- MiniSimulProbe® with 1" screen open - groundwater mode
- MiniSimulProbe® complete assembly (soil gas mode)
- MiniSimulProbe® drive shoe assembly
- MiniSimulProbe® core barrel assembly
- MiniSimulProbe® tool kit



MiniSimulProbe with 1" Screen Closed - Soil-Gas Mode



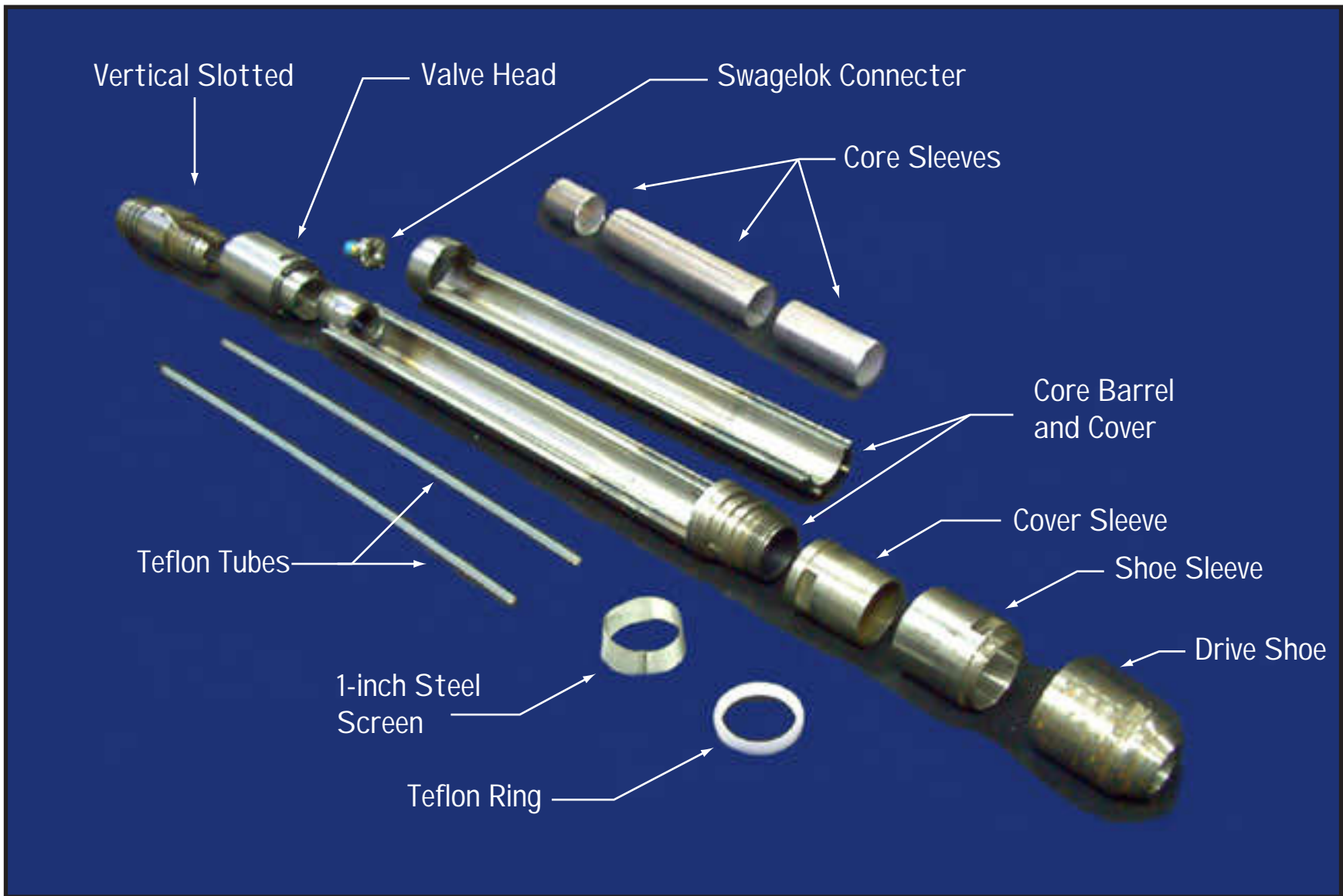
MiniSimulProbe with 1" Screen Open - Soil Gas and Coring Mode



MiniSimulProbe 1-inch Screen Closed - Groundwater Mode



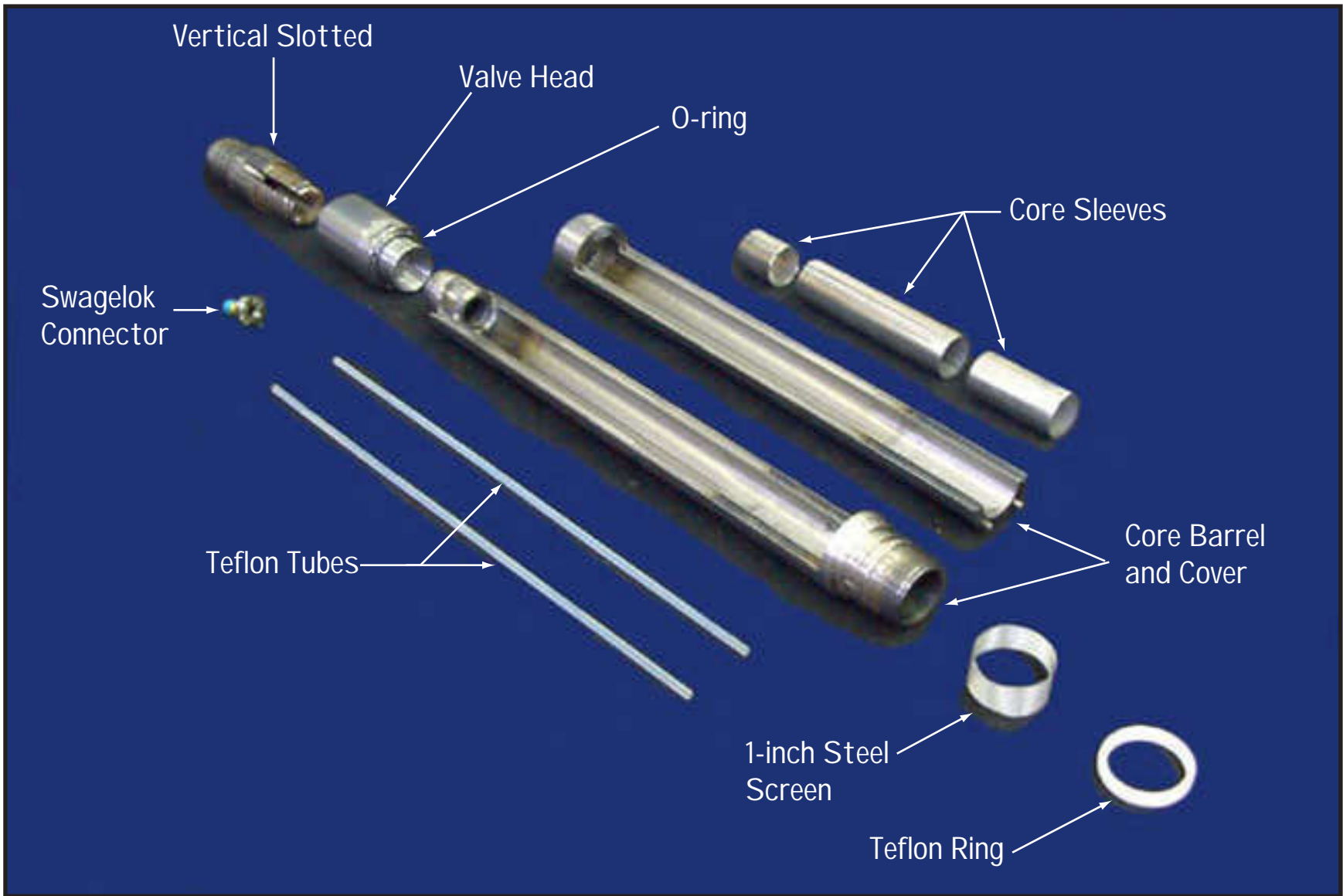
MiniSimulProbe 1-inch Screen Open - Groundwater Mode



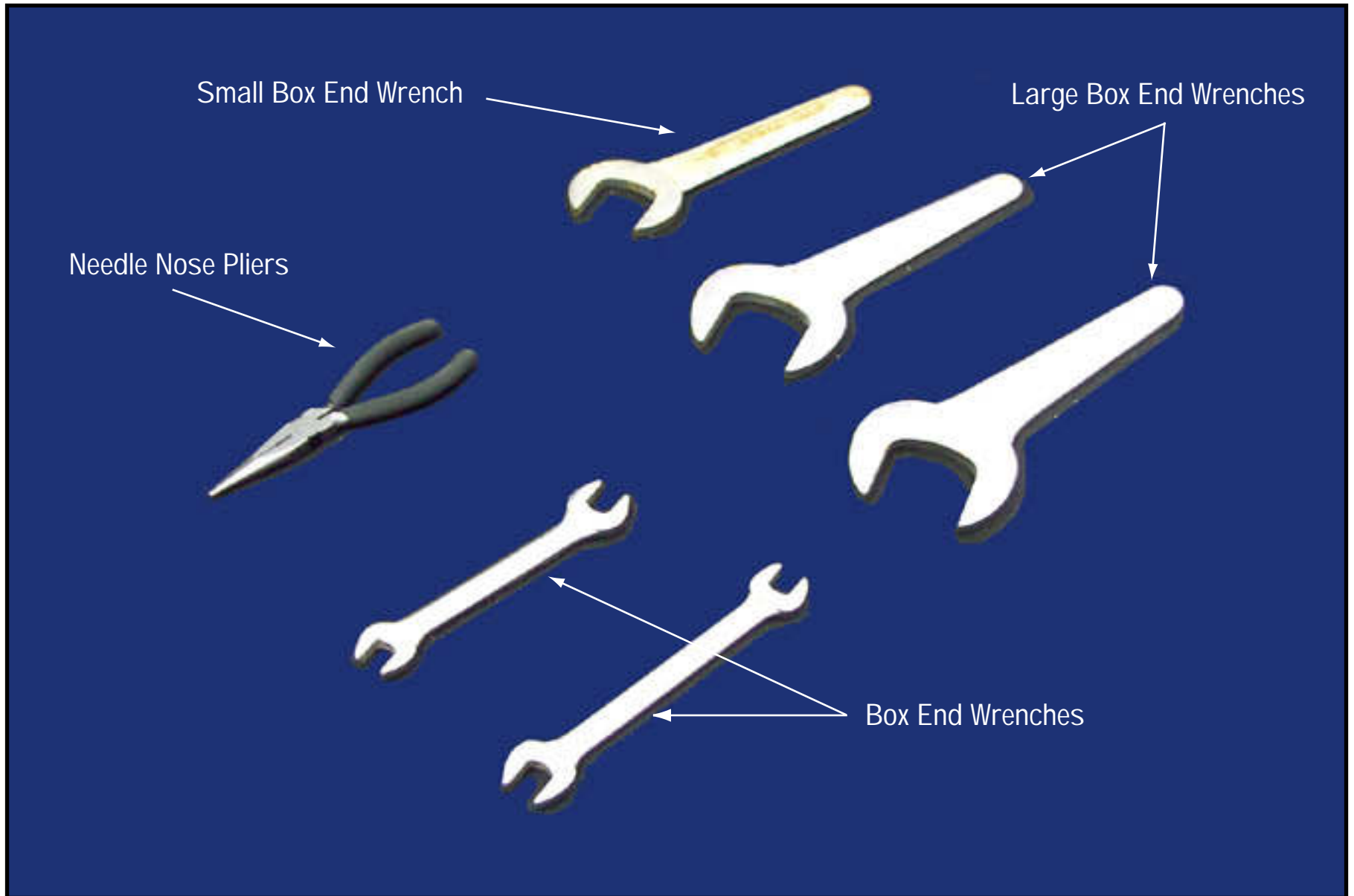
MiniSimulProbe Complete Assembly (Soil Gas Mode)



MiniSimulProbe Drive Shoe Assembly



MiniSimulProbe Core Barrel Assembly



MiniSimulProbe Tool Kit